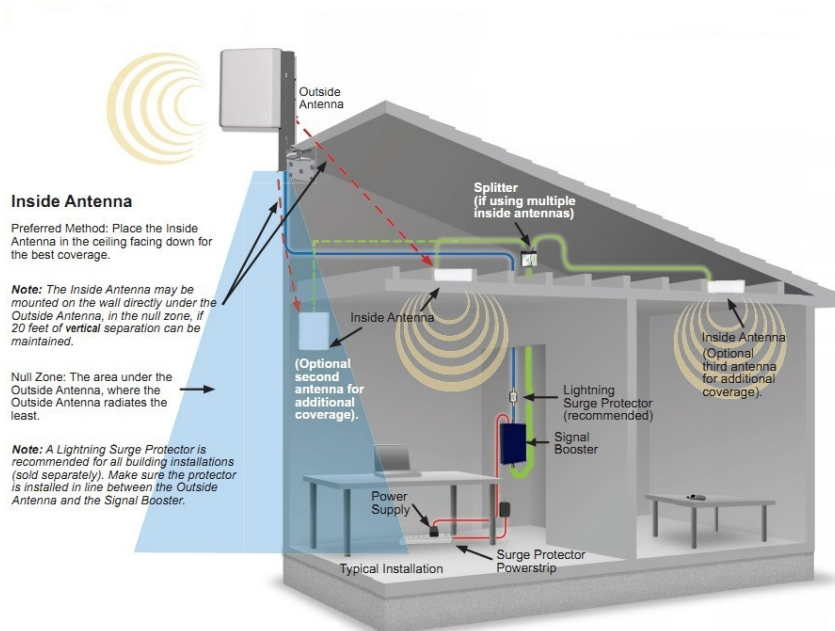


## >> Application :



- To expand signal coverage of signal blind areas where signal is weak or unavailable.

A cheap and immediate solution that would allow them have clear phone calls or higher speed broad band.

No more dropped calls ! No more poor reception !

No more running to the windows or going outside to talk on your mobile phone !

Now you can reach everywhere with signal boost boosters!

**300~2000 square meters coverage**

**≥10dBm power , 65dB gain**

**Repeater kit available**



## >> Specification:

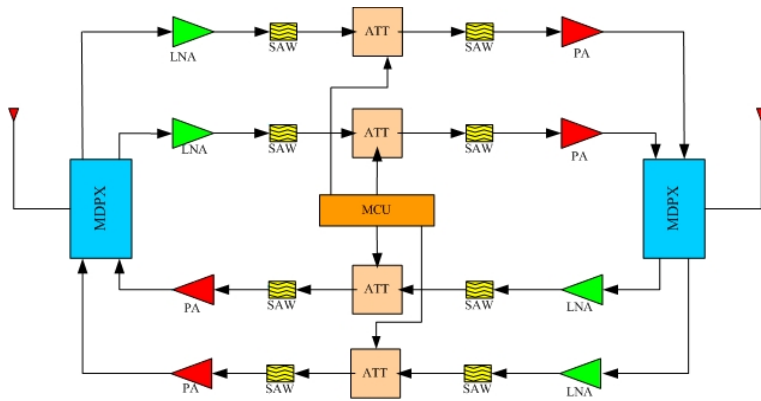
Electrical specification		Uplink	Downlink
Frequency Range( MHz)	GSM900	890 ~ 915	935 ~ 960
	/DCS1800	1710 ~ 1785	1805 ~ 1880
gain(dB)		≥60	≥65
Band flatness (dB)		GSM、CDMA850±3 DCS、PCS、WCDMA±6	
Output Power (dBm)		10	10/17/20/23
ALC (dB)		31dB @ 1dB step	
VSWR		≤2.5	
Group delay(μS)		≤1.5	
Noise figure(dB)		≤6	
spurious emission		9KHz~150KHz≤-36dBm@1KHz	
		150KHz~30MHz≤-36dBm@10KHz	
		30MHz~1GHz≤-36dBm@100KHz	
		1GHz~12.7GHz≤-30dBm@1MHz	
Working temperture(°C)		-25°C ~ +55°C	
Connector type		<input type="checkbox"/> SMA	<input type="checkbox"/> N <input type="checkbox"/> TNC
Working voltage		AC110V~220V to DC+5V/2A	
Size (mm)		135*199*35	
Weight (g)		876	

## Description

- 1、Mini design, beautiful looking and practical
- 2、Receiving and sending separation, easy installation and operation, Full-duplex design, low consumption, environmental protection
- 3、AGC、ALC integration design, device stability total improvement
- 4、MCU singlechip control, monitoring device on running completely

## >>Schematic

Ledmate®



## >>Repeater Kit

- 1.Repeater unit with power adaptor.
- 2.External Beautification Yagi 9 dBi as donor antenna.
3. RF cable ( 15M & 5M )
4. Ceiling server antenna.

